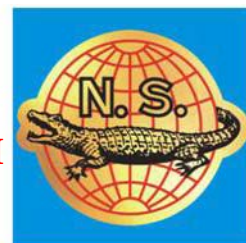


**NS-6202S-2M / NS-6203S-7M / NS-6212S-2M / NS-6213S-7M
NS-6203C-2M / NS-6213C-2M
NS-6214C-3MM / NS-6205S-60MM / NS-6205S-340MM/NS-6205S-540MM
鐳射燈 Laser Marker**



**直線鐳射燈
Straight Laser Marker**



NS-6202S-2M 直線鐳射燈(紅色)
Straight Laser Marker (Red)



NS-6205S-60MM/NS-6205S-340MM
/NS-6205S-540MM
直線鐳射燈 — 紅色
Straight Laser Marker — Red



NS-6203S-7M 直線鐳射燈(紅色)
Straight Laser Marker (Red)



NS-6212S-2M 直線鐳射燈(綠色)
Straight Laser Marker (Green)

- 能產生直線鐳射光，有助衣物定位、對齊，使裁切簡單、準確，最適用於裁床定位
- 高品質元件
- 鐳射燈座調校容易，安裝簡便
- 2M或以下鐳射燈採用特殊設計，可萬向調節安裝方便
- Produce a straight laser beam for fabric positioning and aligning, so fabric cutting becomes easier and more accurate; best for fabric laying on a cutting table
- High quality components
- With laser marker base, it is easy to install and adjust
- Laser marker of 2M or less adopts special design, it can be adjusted in multi-directions and is easy to install.

型號 Model	鐳射光線長度 Laser Beam Length	供應電源 Power Supply	鐳射燈功率 (mW) Laser Power	光線顏色 Beam Color	直徑 (mm) Dia.	光線形式 Beam Shape	鐳射安裝高度(m) Mounting Height of Laser Marker	可選購鐳射燈可調支架 Optional : Adjustable Support of Laser Marker
NS-6202S-2M 直線鐳射燈 Straight Laser Marker	2m	AC 100-240V 50-60Hz	10	紅 Red	Ø22x110	直線 Straight	1.5	C30-34-1000 自動可調導軌 Automatic adjustable guide rail
NS-6212S-2M 直線鐳射燈 Straight Laser Marker				綠 Green				
NS-6203S-7M 直線鐳射燈 Straight Laser Marker	7m		13	紅 Red	Ø30x130		2~3	C30-34-1000 自動可調導軌 Automatic adjustable guide rail
NS-6213S-7M 直線鐳射燈 Straight Laser Marker				綠 Green				
NS-6205S-60MM 直線鐳射燈 Straight Laser Marker	60mm		4	紅 Red	Ø12x50		0.04	--
NS-6205S-340MM 直線鐳射燈 Straight Laser Marker	340mm		8					
NS-6205S-540MM 直線鐳射燈 Straight Laser Marker	540mm							

十字鐳射燈 Cross Laser Marker



NS-6203C-2M 十字鐳射燈(紅色)
Cross Laser Marker (Red)

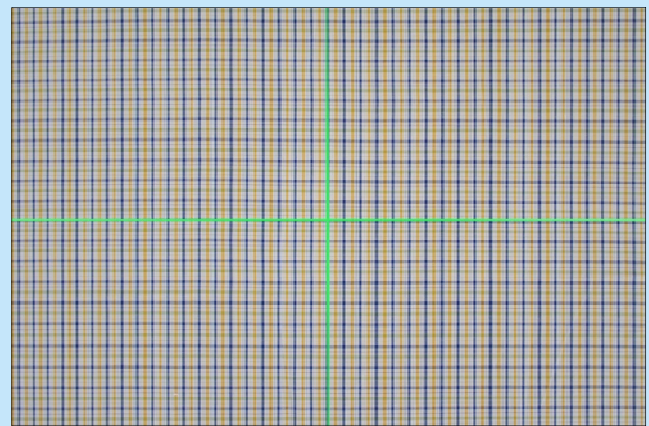
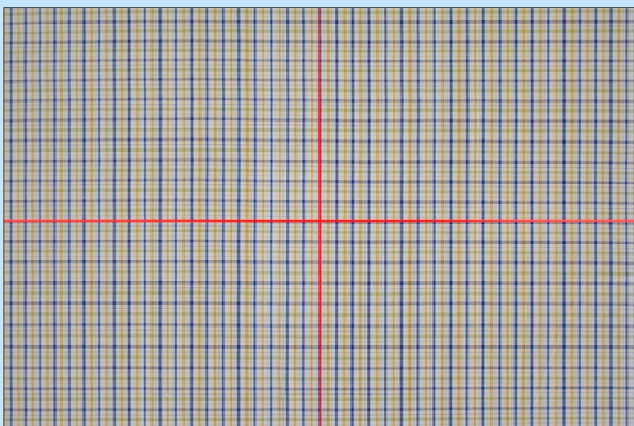


NS-6213C-2M 十字鐳射燈(綠色)
Cross Laser Marker (Green)



NS-6214C-3MM 十字鐳射燈(綠色)
Cross Laser Marker (Green)

- 能產生十字線鐳射光，最適用於格仔布對格定位
- 高品質元件
- 鐳射燈座調校容易，安裝簡便
- Produce a cross laser beam and it is best for check fabric aligning and positioning;
- High quality components
- With laser marker base, it is easy to install and adjust



型號 Model	鐳射光線長度 Laser Beam Length	供應電源 Power Supply	鐳射燈功率 (mW) Laser Power	光線顏色 Beam Color	直徑 (mm) Dia.	光線形式 Beam Shape	鐳射安裝高度(m) Mounting Height of Laser Marker	可選購鐳射燈可調支架 Optional: Adjustable Support of Laser Marker
NS-6203C-2M 十字鐳射燈 Cross Laser Marker	2m	AC 100~240V 50~60Hz	10	紅 Red	Ø26x110	十字線 Cross	1.5	O-A-03-10 鐳射燈可調支架3 Adjustable Support 3 C30-34-1000 自動可調導軌 Automatic adjustable guide rail
NS-6213C-2M 十字鐳射燈 Cross Laser Marker			8x2	綠 Green	Ø30x100			
NS-6214C-3MM 十字鐳射燈 Cross Laser Marker	3mm		6	綠 Green	Ø20x100		0.2-0.3	



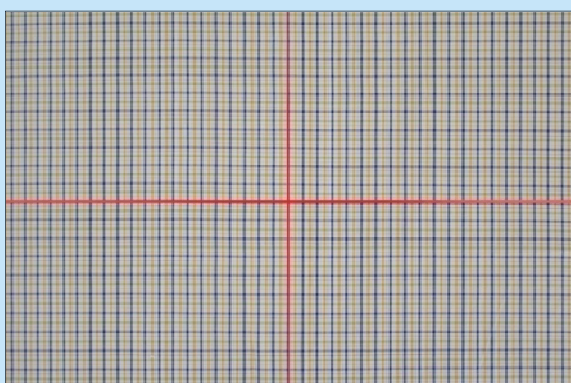
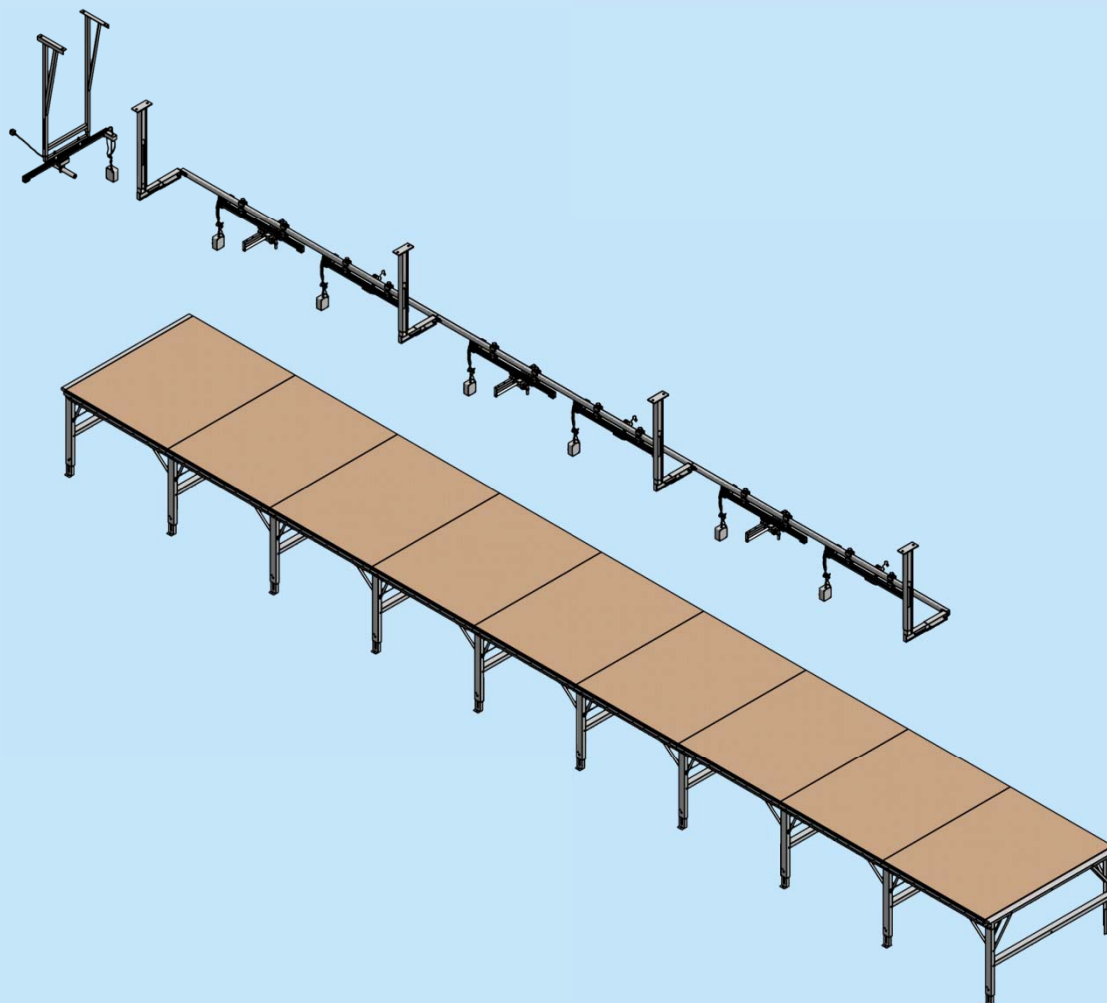
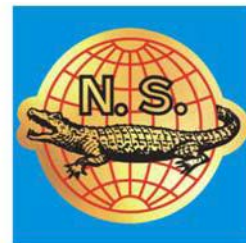
藝誠(余氏)發展有限公司
Ngai Shing Development Limited

香港九龍長沙灣永康街52號地下
G/F., 52 Wing Hong St.,
Cheung Sha Wan, Kln., Hong Kong.

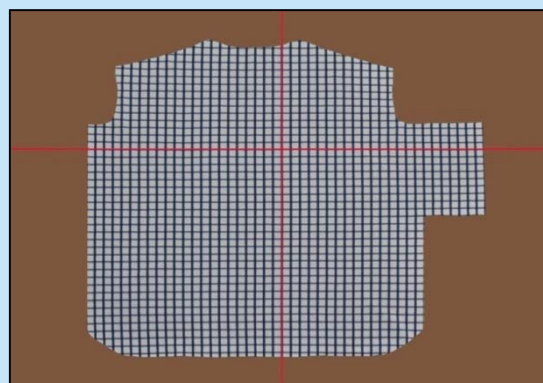
Tel: (852) 2741 9981, 2742 0078 E-MAIL: info@ngaishing.com
Fax: (852) 2785 3149 Http://www.ngaishing.com

鐳射燈對格 / 對條系統

Laser Marker Check / Stripe Matching System

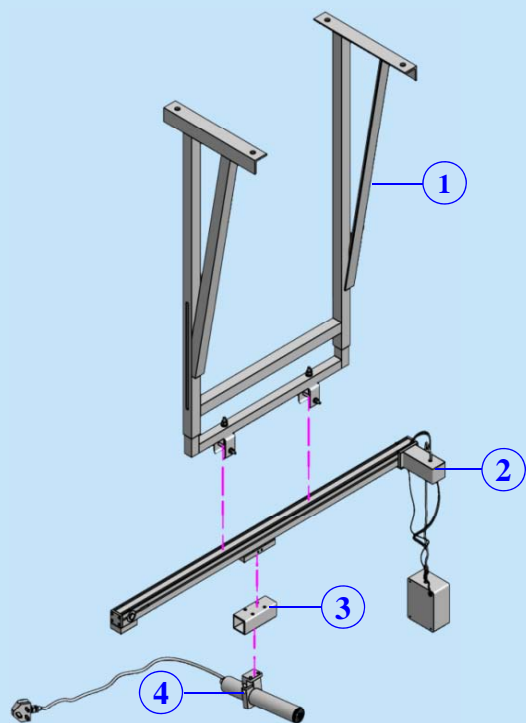


- 能產生十字線鐳射光，最適用於格仔布對格定位
- 高品質元件
- 鐳射燈座調校容易，安裝簡便



- Produce a cross laser beam and it is best for check fabric aligning and positioning;
- High quality components
- With laser marker base, it is easy to install and adjust

7M鐳射燈安裝示意圖
Installation Diagram of Laser Marker (7M)



C30-34-1000 自動可調導軌
Automatic Adjustable Guide Rail



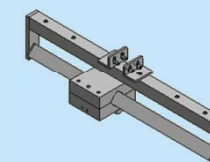
NS-6203S-7M
NS-6213S-7M
直線鐳射燈
Straight Laser Marker



NS-6202S-2M
NS-6212S-2M
直線鐳射燈
Straight Laser Marker

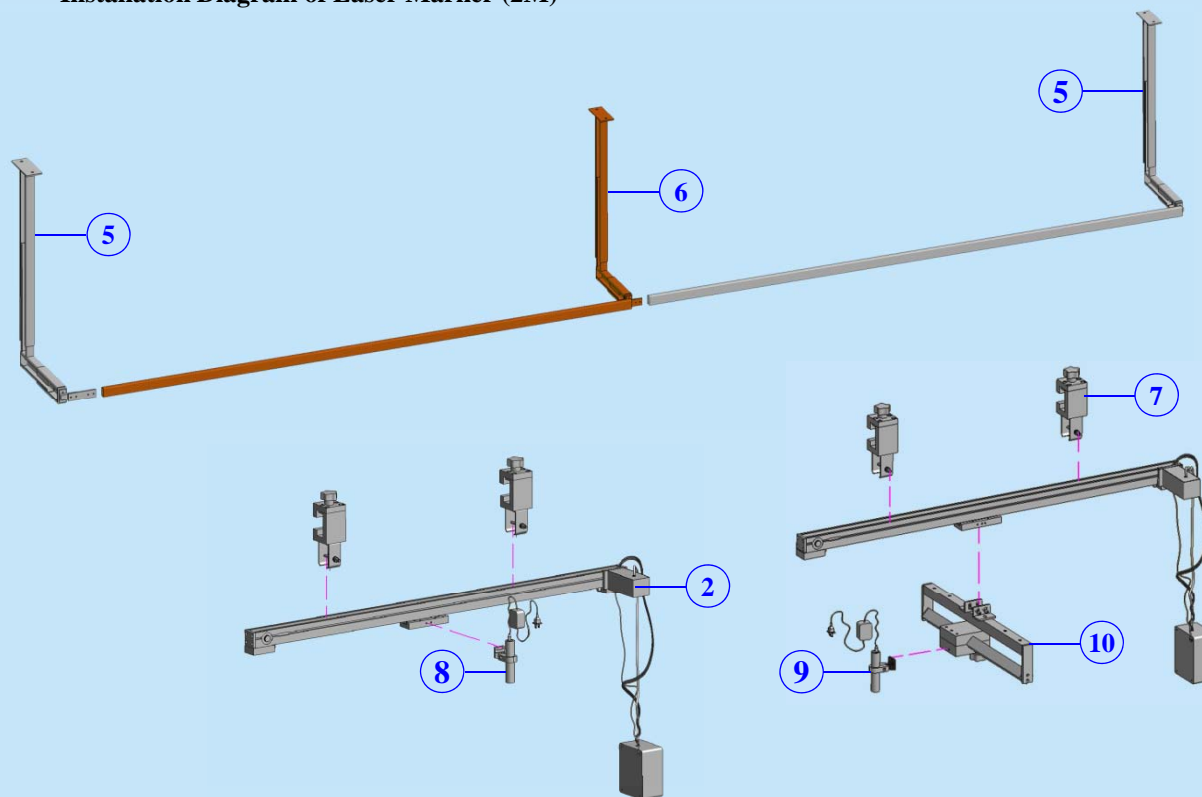


NS-6203C-2M
NS-6213C-2M
十字鐳射燈
Cross Laser Marker



O-A-03-10
鐳射燈可調支架 3
Adjustable Support 3

2M鐳射燈安裝示意圖
Installation Diagram of Laser Marker (2M)



安裝必購件 necessary parts for installation:

指引號 Ref. No.	公司編號 Company Code	中文名稱 Chinese Description		英文名稱 English Description		圖片 Picture
1	AC-A-6-1	可調直線鐳射燈 支架	選購件	Adjustable Support for Straight Laser Marker	Option	
2	C30-34-1000	自動可調導軌	選購件	Automatic adjustable Guide Rail	Option	
3	AC-A-6-5	鐳射燈支架固定座	選購件	Laser Marker Fixing Seat	Option	
4	NS-6203S-7M	直線鐳射燈 - 紅色	選購件	Straight Laser Marker - Red	Option	
	NS-6213S-7M	直線鐳射燈 - 綠色		Straight Laser Marker - Green		
5	O-A-03-8	路軌吊桿支架 短頭尾節(10´)	選購件	Short Front and End Segments of Rail Hanging Rod Support (10´)	Option	
6	O-A-03-9	路軌吊桿支架中間 節(10´)	選購件	Middle Segment of Rail Hanging Rod Support (10´)	Option	
7	AC-A-7-3	鐳射燈支架固定座	選購件	Laser Marker Fixing Seat	Option	
8	NS-6202S-2M	直線鐳射燈 - 紅色	選購件	Straight Laser Marker - Red	Option	
	NS-6212S-2M	直線鐳射燈 - 綠色		Straight Laser Marker - Green		
9	NS-6203C-2M	十字鐳射燈 - 紅色	選購件	Cross Laser Marker - Red	Option	
	NS-6213C-2M	十字鐳射燈 - 綠色		Cross Laser Marker - Green		
10	O-A-03-10	鐳射燈可調支架 3	選購件	Adjustable Support 3	Option	



藝誠(余氏)發展有限公司
Ngai Shing Development Limited

香港九龍長沙灣永康街52號地下

G/F., 52 Wing Hong St.,

Cheung Sha Wan, Kln., Hong Kong.

Tel: (852) 2741 9981, 2742 0078

E-MAIL: info@ngaishing.com

Fax: (852) 2785 3149

Http://www.ngaishing.com